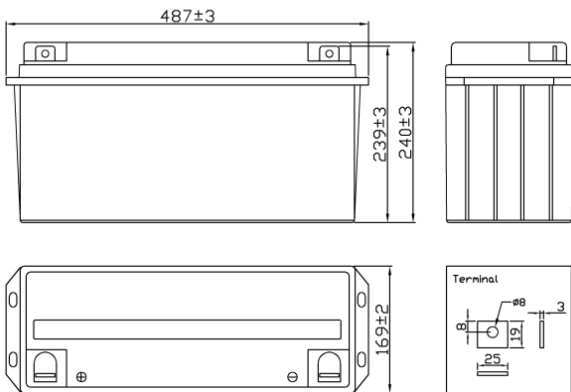


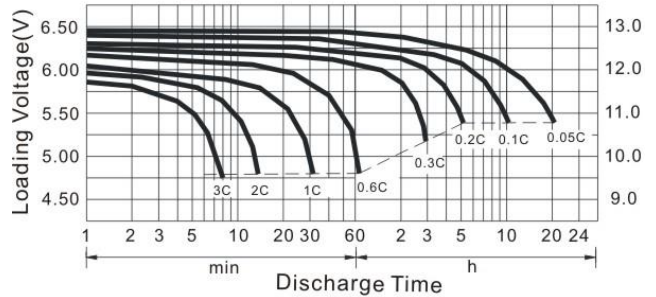


# NCTS-12V150A (12V150Ah) SEALED LEAD-ACID BATTERIES

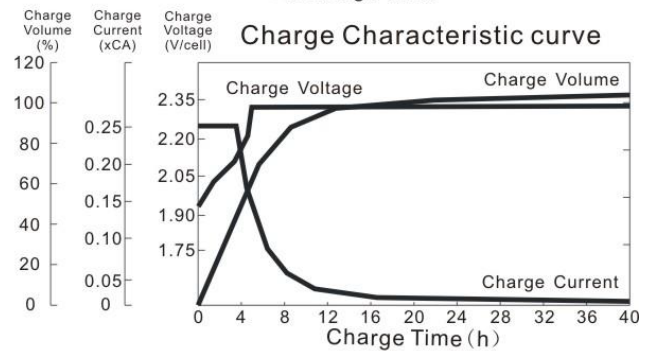
## NCTS-12V150A



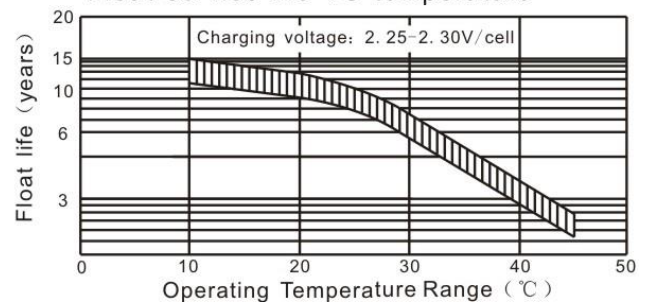
Discharge Characteristics 77°F (25°C)



Charge Characteristic curve



Float service life VS temperature



# NCTS-12V150A (12V150Ah) SEALED LEAD-ACID BATTERIES

## Technical Specifications

MODEL: NCTS-12V150A

### Specifications

<b>Nominal Voltage</b>		<b>12V</b>
<b>Rated Capacity 77°F(25°C) (10HR)</b>		<b>150.0Ah</b>
<b>Dimensions (mm)</b>	<b>Length</b>	<b>487±3</b>
	<b>Width</b>	<b>169±2</b>
	<b>Height</b>	<b>240±3</b>
	<b>Total Height</b>	<b>240±3</b>
<b>Approx. Weight (kg)</b>		<b>40.5±3%</b>
<b>Terminal</b>		<b>T9-B</b>



### Characteristic

<b>Capacity 77°F(25°C)</b>	<b>20HR (7.95A)</b>	<b>159.0Ah</b>
	<b>10HR (15.0A)</b>	<b>150.0Ah</b>
	<b>5HR (25.5A)</b>	<b>127.5Ah</b>
	<b>1HR (94.95A)</b>	<b>94.9Ah</b>
	<b>15 min rate (262.5A)</b>	<b>65.6Ah</b>
<b>Internal Resistance</b>	<b>Full Charged Battery 77°F(25°C)</b>	<b>Approx. 4.08mΩ</b>
<b>Temperature dependence of capacity (10HR)</b>	<b>104°F(40°C)</b>	<b>102%</b>
	<b>77°F(25°C)</b>	<b>100%</b>
	<b>32°F(0°C)</b>	<b>85%</b>
	<b>5°F(-15°C)</b>	<b>65%</b>
<b>Self-Discharge 68°F(20°C) (Capacity after)</b>	<b>3 months</b>	<b>90%</b>
	<b>6 months</b>	<b>80%</b>
	<b>12 months</b>	<b>60%</b>
<b>Max. Discharge Current, 77°F(25°C)</b>		<b>1200A(5s)</b>
<b>Floating design life, 77°F(25°C)</b>		<b>10 years</b>
<b>Constant Voltage Charge, 77°F(25°C)</b>	<b>Cycle</b>	<b>14.4~14.7V(-24mV/°C) max. current: 37.5 A</b>
	<b>Float</b>	<b>13.6~13.8V(-18mV/°C)</b>

### Constant Current Discharge Characteristics (A), 77°F(25°C)

F.V/TIME	5min	10min	15min	30min	60min	2H	3H	5H	8H	10H	20H
1.60V/cell	502.5	322.5	262.5	168.8	97.50	58.28	40.32	27.05	18.63	15.75	8.640
1.70V/cell	442.5	292.5	251.3	164.3	96.15	57.53	39.83	26.73	18.33	15.45	8.340
1.75V/cell	397.5	270.0	237.8	159.8	94.95	56.78	39.38	26.33	18.15	15.30	8.190
1.80V/cell	345.0	244.5	222.8	153.6	93.00	56.00	38.63	25.94	17.88	15.15	8.040

### Constant Wattage Discharge Characteristics (Watt), 77°F(25°C)

F.V/TIME	5min	10min	15min	30min	60min	2H	3H	5H	8H	10H	20H
1.60V/cell	866.8	575.1	476.9	315.0	186.9	113.6	79.97	53.77	37.07	31.37	17.27
1.70V/cell	781.8	531.4	462.7	309.3	185.1	112.7	79.19	53.28	36.57	30.85	16.68
1.75V/cell	712.2	497.3	441.8	303.5	183.6	111.7	8.49	52.61	36.30	30.60	16.38
1.80V/cell	626.8	456.4	417.7	294.4	180.6	111.1	77.19	51.87	35.76	30.30	16.08

